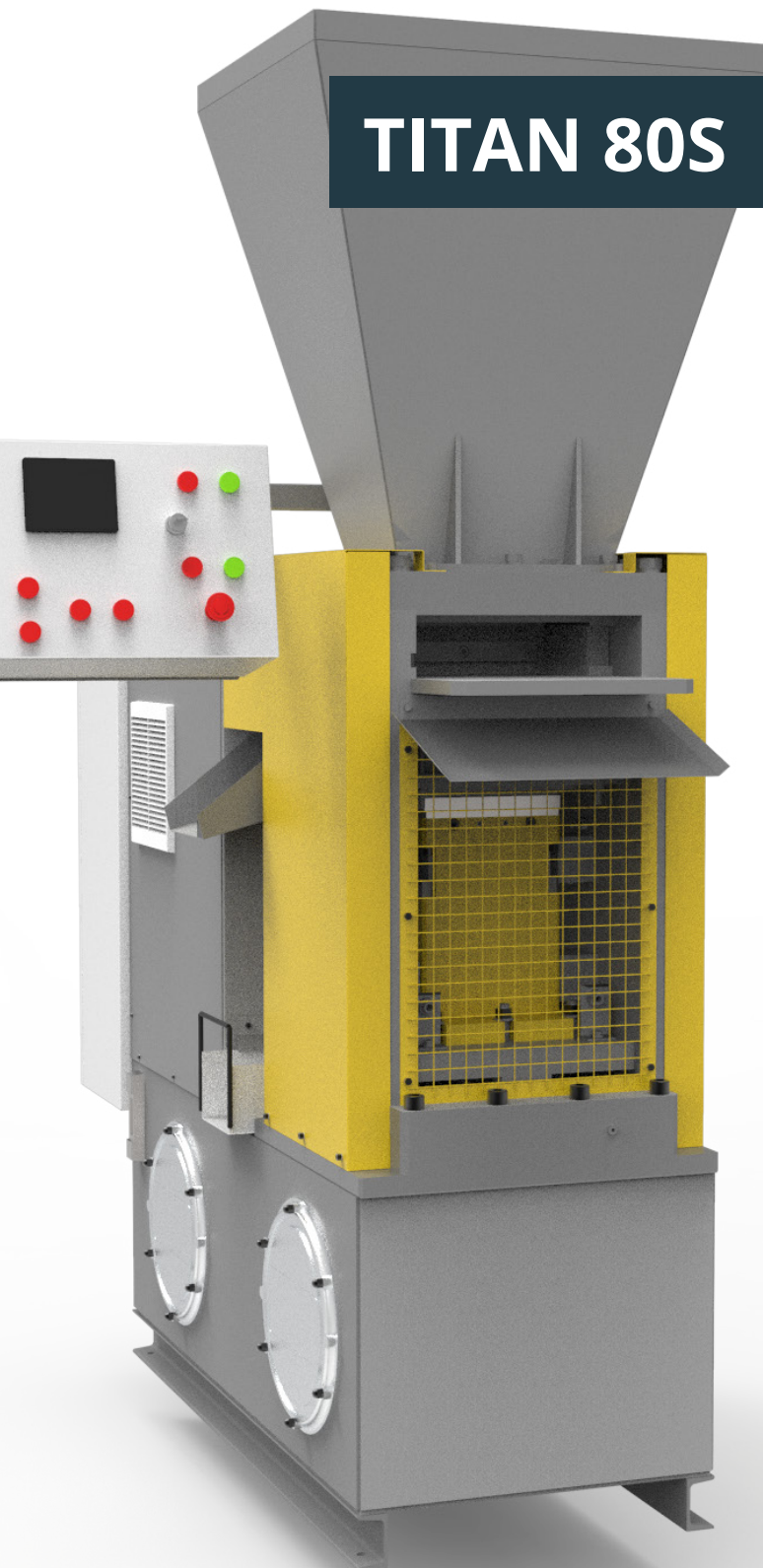




# TITAN 80S



## Technical Parameters

Total weight without additional equipment or accessories	1600 kgs
Press power	93000 kgf
Ejection power	12000 kgf
Max. capacity *nominal brick	17 strokes / min
Filling depth	165 mm
Max. operating pressure	230 bar (23 MPa)
Heaviest component during assembly – complete press body	1600 kgs
Total connected electric load at 50 Hz	15 kW
Cooling water consumption	Temperature 25 ° C, 2,0 - 4,0 m3 / h
Compressed air consumption	5 bar (0,5 MPa), 30 l / min
Hydraulic oil for one oil fill, approx.	270 l

Maximum performance nominal bricks.

**1028**

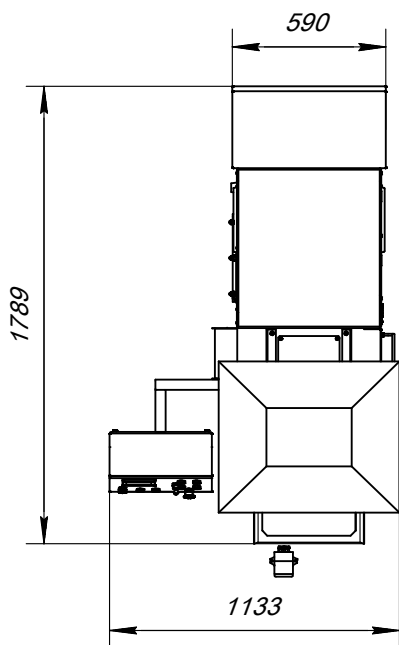
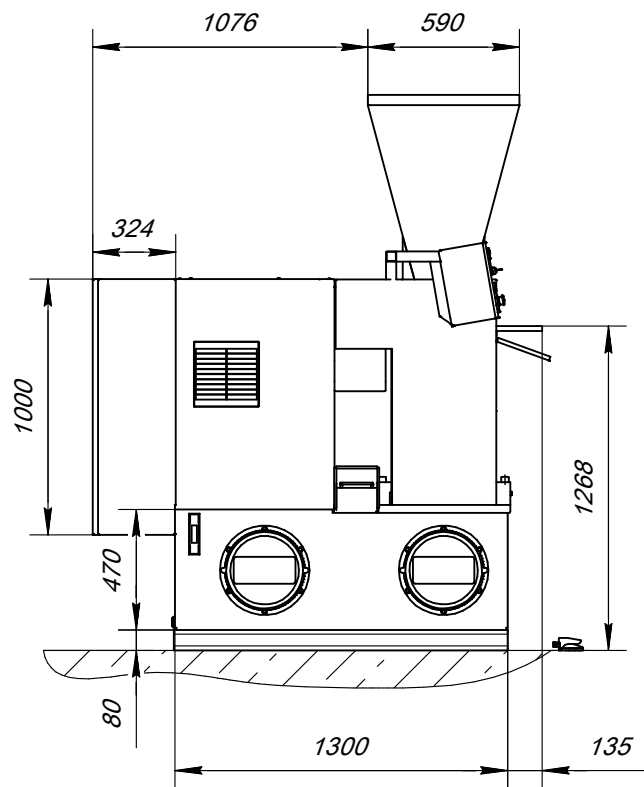
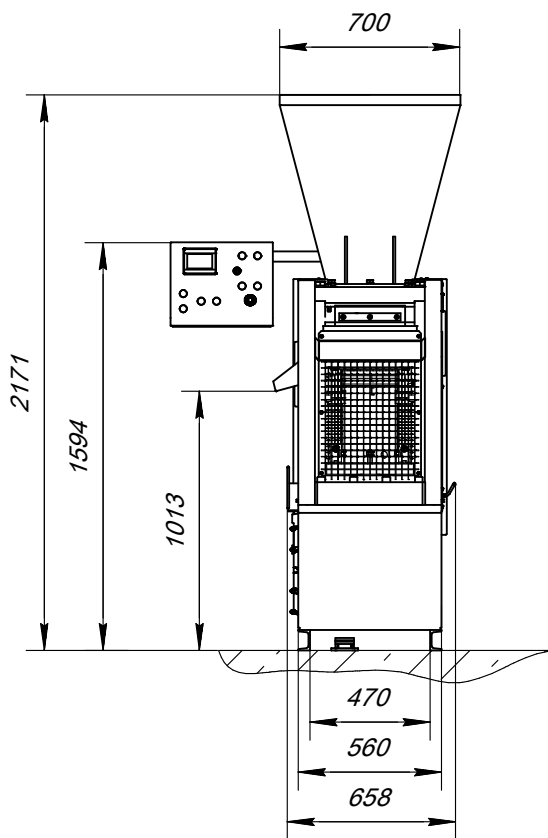
HOURLY

**8228**

SHIFT

**24685**

DAY



**BAL-TRANS:**  
 EU office  
 eu@titan-machinery.com  
 +48 506 827 335

**TITAN ENGINEERING:**  
 Russian office  
 titan@titan-machinery.com  
 +7-4991104826